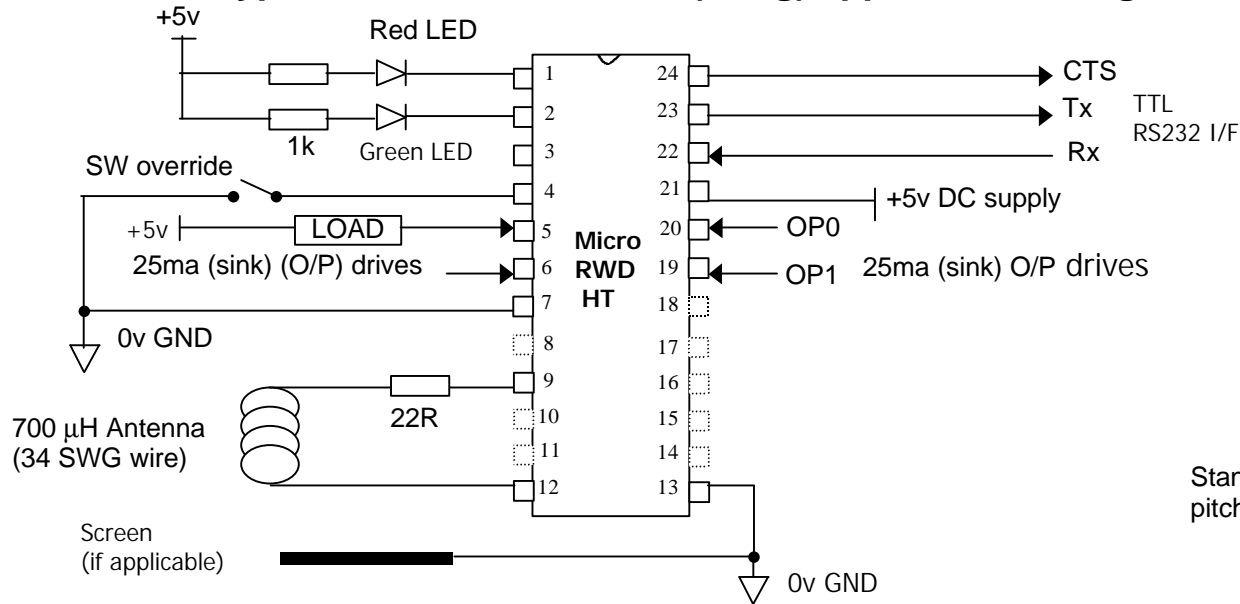
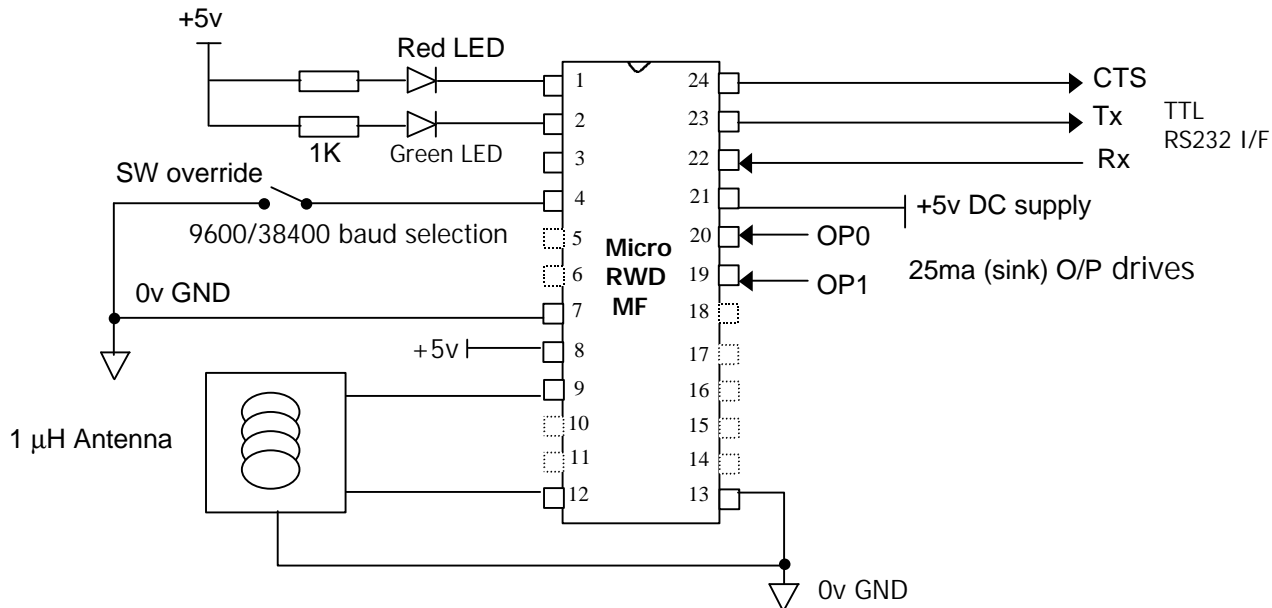


Typical 125kHz MicroRWD (Hitag) application configuration



Typical 13.56MHz MicroRWD (Mifare) application configuration



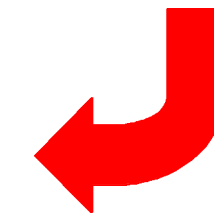
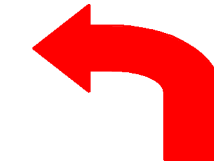
Universal Socket:- modules have same pinout and host commands

Standard 0.1 inch / 2.54 mm pitch. 24 pin DIL layout.

Pins mounted to hybrid flush with substrate.

PCB Row Spacing 18 mm

Unconnected pin pads



ib technology
Leading the way by innovation