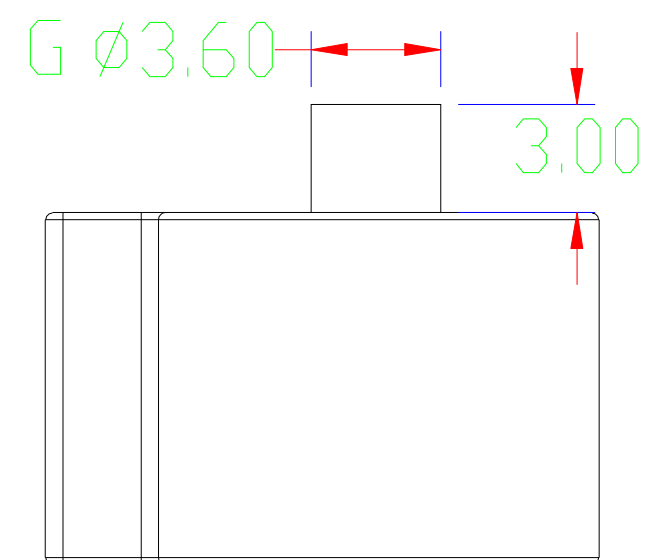


SECTION A-A



- A 15.40mm
- B 16.10mm
- C 7.70mm
- D Ø3.00mm
- E Ø11.00mm
- F 10.00 +0.05mm
- G Ø3.60

Technical Requirement:

1. No burrs and all the sharp edges are removed, smooth joint lines.
2. Tolerance is ± 0.05 mm. Fillet is R=0.5mm.