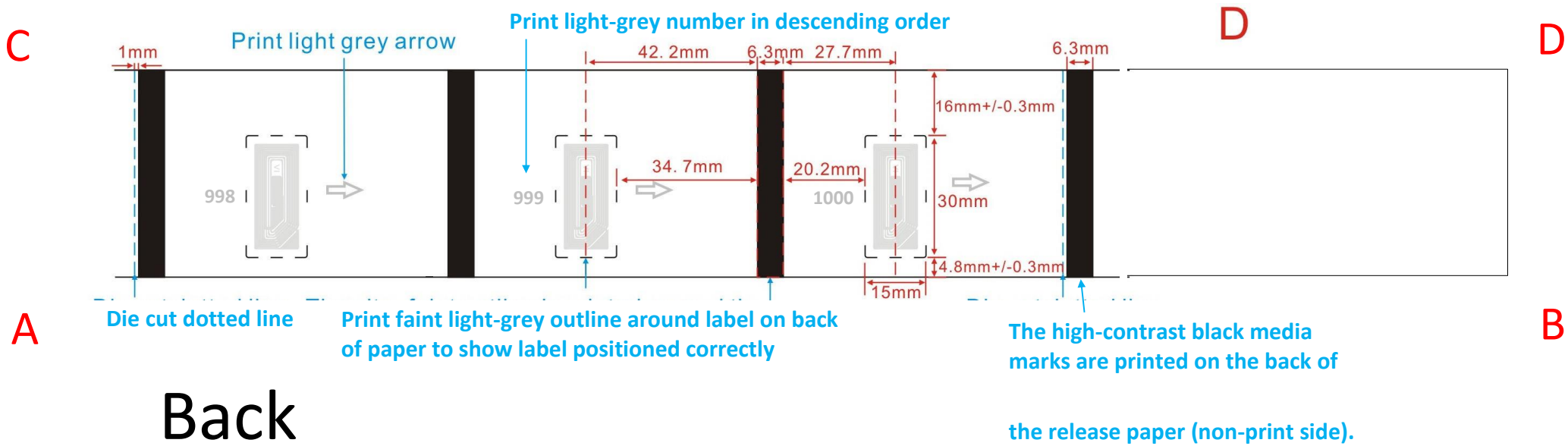
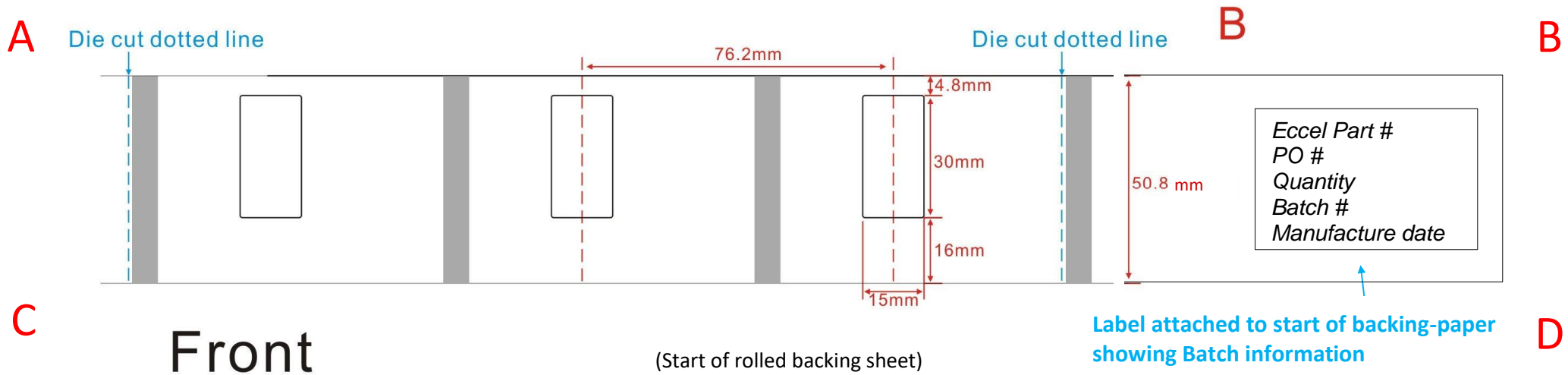


## Data Sheet

### **TAG-MIFARE1K-15x30-ROLL**

2 Pages, Last Revised 12/09/14



Part number: TAG-MIFARE1K-15x30-ROLL

Description: 15x30mm Mifare1k sticky-backed labels for Boca printer system, on 3-inch (80mm) diameter roll, blank (no-printing)

Quantity: 1000 labels per roll

Packaging: On 3-inch (80mm) diameter roll, no-perforations.  
Label on outside of box showing Batch information (same label as attached to start of the paper – see diagram).  
Contents dry packed and sealed.

Material: Thermal printable backing-paper with printed high-contrast Black media marks (90%+ contrast) for use on Boca printer with optical sensors.  
Backing-paper material must absorb less than 20% of infra-red light of wavelength 940nm.  
The black media marks printed on the backing material must absorb greater than 90% of infra-red light of wavelength 940nm.  
Dimensions as diagram above, tolerance +/- 0.1mm  
Printed faint light-grey outline showing label positioned correctly.  
Printed faint light-grey arrow showing feed direction  
Printed faint light-grey descending label numbers (starting at 1000)

Label: Thermal paper: Long term self-adhesive material  
Nikto 3280D adhesive  
Inlay material spec: 28mm x 13mm  
Antenna spec: 26mm x 11mm Aluminium foil, inductive loop  
Moisture range: 0%RH -> 90%RH  
13.56MHz ISO14443A Mifare1k (NXP S50) transponder  
Shock resistance: < 5N/m M2  
Temperature range: -40 deg C -> +65 deg C  
Data storage: 10 years minimum  
Reading range: 2cm -> 5cm depending on Reader antenna size and environment.

Eccel Technology Ltd, registered in England No. 5614911  
VAT No: GB 928 2439 07. Registered Office: 198 Station Road, Glenfield, Leicester LE3 8GT, UK.. [www.eccel.co.uk](http://www.eccel.co.uk)